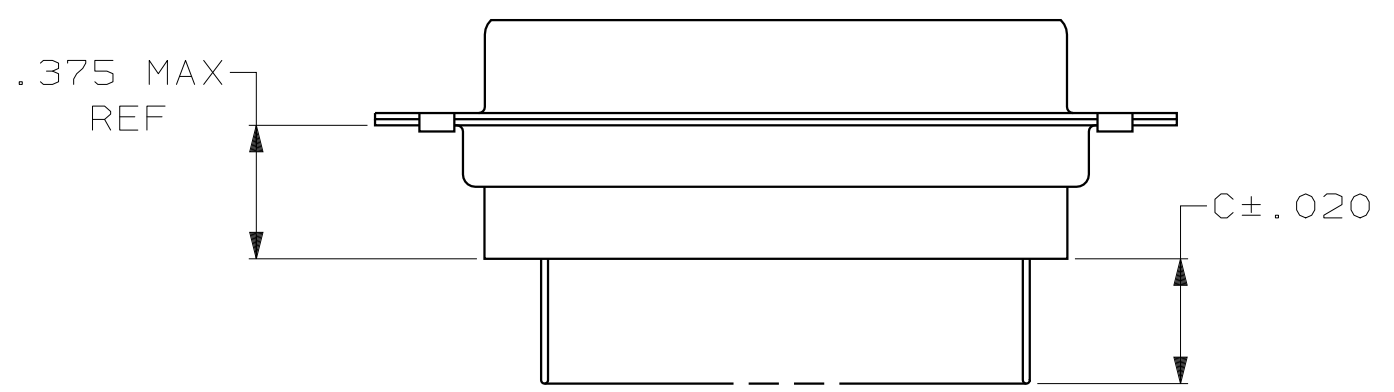
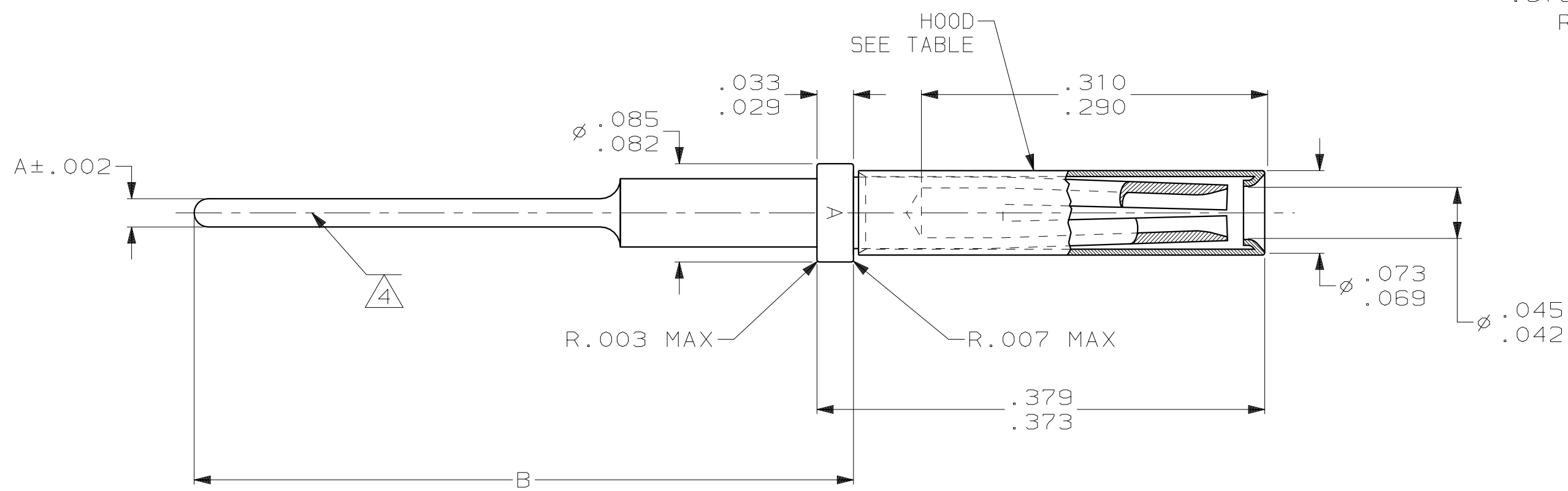


THIS DRAWING IS UNPUBLISHED. RELEASED FOR PUBLICATION, 19 .
 © COPYRIGHT 19 BY AMP INCORPORATED. ALL INTERNATIONAL RIGHTS RESERVED.

LOC	DIST	P	F	ZONE	LTR	DESCRIPTION	DATE	APPD
DF	DO				R	ADD -15 PER OH14-0126-03	CT 11-03	LO



POST EXTENTION WHEN USED IN A STANDARD CONNECTOR

PRELIMINARY NOT RELEASED FOR PRODUCTION	1	9	.320	.560	.018	1-208778-5
PRELIMINARY NOT RELEASED FOR PRODUCTION	-	-	-	-	-	1-208778-4
PRELIMINARY NOT RELEASED FOR PRODUCTION	-	-	-	-	-	1-208778-3

	1	8	.240	.480	.018	1-208778-2
	5	8	.320	.560	.018	1-208778-1
	1	8	.320	.560	.018	1-208778-0
OBSOLETE	1	8	.190	.446	.040	208778-9
OBSOLETE	1	8	.190	.446	.030	208778-8
OBSOLETE	1	8	.190	.446	.024	208778-7
OBSOLETE	1	8	.155	.415	.040	208778-6
OBSOLETE	1	8	.155	.415	.030	208778-5
OBSOLETE	1	8	.155	.415	.024	208778-4
OBSOLETE	1	8	.125	.383	.040	208778-3
OBSOLETE	1	8	.125	.383	.030	208778-2
OBSOLETE	1	8	.125	.383	.024	208778-1

- 1 PLATED GOLD .000050 MIN THK, OVER COPPER .000150 MIN THK
- 2. FOR USE IN P.C. BOARD.
- 3. CONTACT CAN BE USED IN ANY STANDARD HD-20 RECEPTACLE CONNECTOR.
- 4 POINT OF PLATING MEASUREMENT .100 FROM TIP OF SOLDER TAIL.
- 5 PLATED GOLD PER MIL-G-45204, TYPE I, CLASS 1, GRADE C OVER NICKEL PER QQ-N-290, .000050 TO .000150 INCH THK.
- 6. CONTACT BODY MAT'L: LEADED NICKEL COPPER (PROPRIETARY) EQUIVALENT ALTERNATE MAT'L: COPPER ALLOY PER ASTM-B-196
- 7. CONTACTS MEET ALL APPLICABLE PERFORMANCE REQUIREMENTS OF MIL-C-39029.
- 8 HOOD: STAINLESS STEEL. PASSIVATED.
- 9 HOOD: BRASS PER QQ-B-613 OR BERYLLIUM COPPER PER ASTM-B-196 PLATED GOLD PER MIL-G-45204, TYPE II, GRADE C, CLASS 1, OVER COPPER PER MIL-C-14550, CLASS 4.

DO NOT SCALE PRINT. UNLESS SPECIFIED DIMENSIONS IN mm [INCHES] TOLERANCES ON : 2 PLC DEC ± - 3 PLC DEC ± .005 ANGLES ± -	DR 08-18-93 THOMPSON CHK 08-23-93 D. MANTIONE APPD 08-23-93 D. MANTIONE APPD 08-23-93 D. MANTIONE	AMP Incorporated Harrisburg, PA 17105-3608			
MATERIAL SEE CALLOUT	PRODUCT SPEC -				
FINISH SEE CALLOUT	APPLICATION SPEC -	SIZE C	CAGE CODE 00779	DRAWING NO C=208778	
	WEIGHT -	SCALE 10:1		SHEET 1 OF 1	

THIS DRAWING IS A CONTROLLED DOCUMENT FOR AMP INCORPORATED. IT IS SUBJECT TO CHANGE AND THE CONTROLLING ENGINEERING ORGANIZATION SHOULD BE CONTACTED FOR THE LATEST REVISION.